

Mirage Close Coupled Toilet Suite

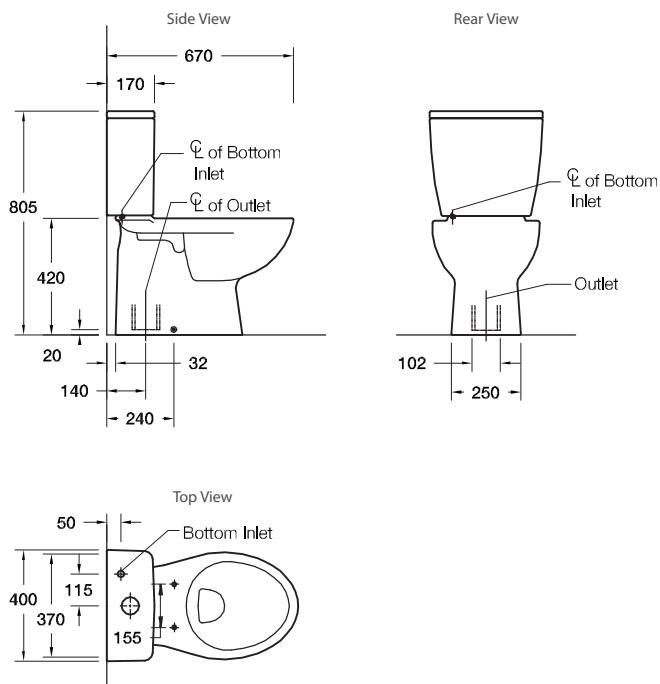
The Mirage toilet features water-saving 4.5/3 litre dual flush engineered to meet certified plumbing standards, and is close coupled with concealed S-Trap.



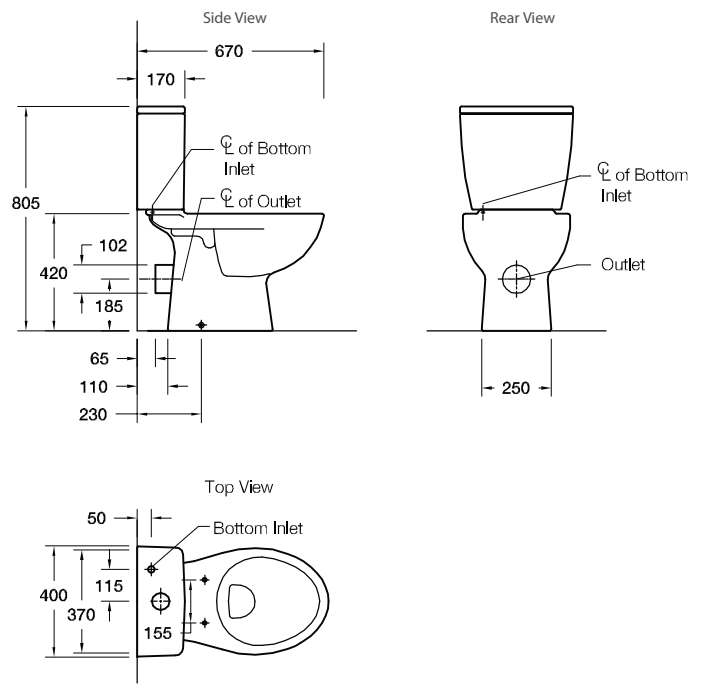
Product	S-Trap 12756A-0 P-Trap 12757A-0
Colour/Finish	White
Includes	Mirage Toilet Tank 4.5/3L Mirage Toilet Pan S-Trap or P-Trap 4.5/3L Mirage Toilet Seat with Metal Hinge
S - Set Out	140mm
P - Set Out	185mm
Trap Options	S-Trap & P-Trap
Water Inlet	410mm from floor, 120mm to right of centre. Bottom Right Hand.
WELS Rating	4 star - 4.5/3 litre dual flush



Mirage S-Trap



Mirage P-Trap



All measurements shown are in millimetres.  
Sizes are approximate.  
September 2010



New Zealand  
133 Diana Drive, Glenfield, Auckland, New Zealand  
PO Box 100-146 NSMC, Auckland, 0745  
Ph: 0800 100 382 Fax: 0800 66 44 88  
www.Englefield.co.nz